

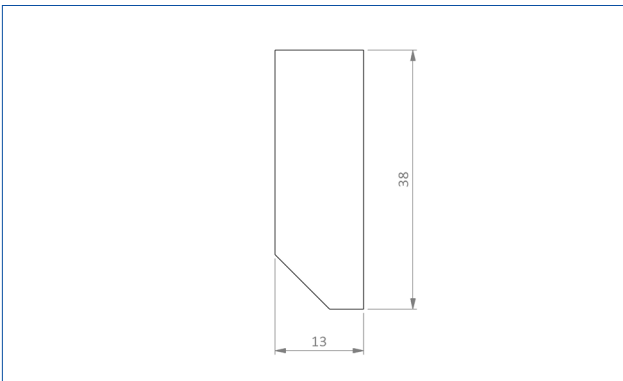


PAINTABLE WATERPROOF SMALL SKIRTING

Technical data sheet
English

General information

Small, paintable, 100%-recyclable polystyrene skirting that can be left white or grab a can and paint your skirtings in a colour that suits your style. Use the Foamstrip and Hydrokit for a watertight finish in wet areas. Easy to install with One4All Glue.



Contents

Composition

Colour

**Paintable waterproof skirting
- small**

Polystyrene

White (between RAL 9010 and RAL 9016)

Order code

Dimensions

QSHSK38PAINT

2400 x 13 x 38 mm

Applicable for:

All Quick-Step Laminate and Vinyl floors.

The floor must be able to expand and contract on all sides. This is why an expansion gap must be provided on all sides of the floor, around pipes, thresholds and under door frames. The exact expansion gap size depends on the floor type. Consult the installation instructions of your Quick-Step floor to know the required size of the expansion gap. To finish off this gap, we offer a wide range of skirting and profiles.

Features

Quick-Step accessories are specifically developed for Quick-Step floors.

✓ **Multi-purpose surface**

The surface can be left white or painted.

✓ **Waterproof**

Use the Foamstrip and Hydrokit for a watertight finish in wet areas.

✓ **Easy installation with Quick-Step One4All glue**

Simply glue the skirting to the wall.

Installation

The skirting can be installed in the following way:

1. If you choose to paint the skirting, it is best to sand and prime the skirting to ensure the best adhesion. First always verify if the paint bonds well. Preferably, use a water-based lacquer paint.
2. Simply glue the skirting to the wall with the Quick-Step One4All glue.
3. You can paint the skirting in the colour of your choice or you can leave it as a white skirting.